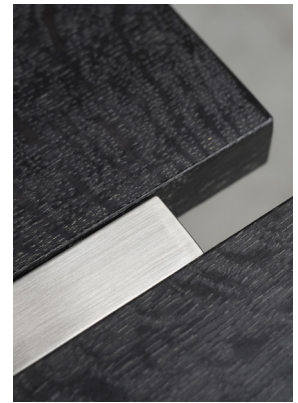
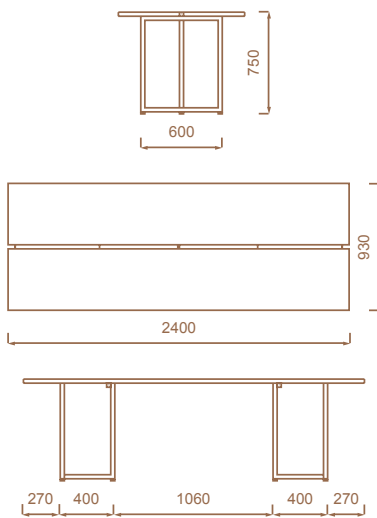




JACK T3456

JACK T3456



Our suggestions:

1. Frame and Cast parts Charcoal / Wood Black Oak T34567593X300CCOb
2. Frame and Cast parts Brass aged / Wood Black Oak T34567593X300MaMaOb
3. Frame and Cast parts Brass aged / Wood Walnut T34567593X300MaMaWn

Materials / Legend Frame & Cast Part

- RG STAINLESS STEEL POLISHED
 RM STAINLESS STEEL MAT
 AG ALUMINIUM POLISHED
 AM ALUMINIUM MAT
 MG BRASS POLISHED
 MM BRASS MAT
 MA BRASS AGED
 R RISTRETTO (BROWN)
 C CHARCOAL (BLACK)

Category: Tables / Dining Table, Office Table
 Also Available as: Outdoor Table

Designer: Peter Ghyczy / 2010

Materials:

Frame: C - MA - R - RG - RM

Cast Part: AG - AM - C - MA - MB - MG - R

Wood solid Oak oiled: Natural - Black

Wood solid Walnut oiled: Natural

Dimensions in cm: L 240 x W 93 x H 75 (180 cm in between space for 3 chairs)

L 300 x W 93 x H 75 (240 cm in between space for 4 chairs)

L 400 x W 93 x H 75 (334 cm in between space for 5 chairs)

Other dimensions available on request

Product Weight in kg: 75

Design and Manufactured: The Netherlands

Production Leadtime: 8 weeks

Starting price in Euro excl. VAT: 3.970

